

BW: middelgrote industriële boiler

Specificaties

| Model | | BW80 | BW100 |
|--------------------------------|-------------------|------|-------|
| Inhoud | l | 280 | 380 |
| Gewicht | kg | 140 | 180 |
| Rookgastemperatuur | °C | 160 | 125 |
| Rookgasvolume | m ³ /h | 31 | 37 |
| Maximale werkdruk | bar | 8 | 8 |
| Aardgas - categorie I2L | | | |
| Nominale belasting (b.w.) | kW | 19,0 | 25,6 |
| Nominale belasting (o.w.) | kW | 17,1 | 23,0 |
| Nominaal vermogen | kW | 14,7 | 20,0 |
| Gasverbruik | m ³ /h | 2,10 | 2,83 |
| Branderdruk | mbar | 10,0 | 10,0 |
| Diameter inspuiter | mm | 4,04 | 4,62 |
| Tapcapaciteit 1e uur T=40°C* | l | 869 | 1181 |
| Tapcapaciteit continu T=40°C* | l/h | 421 | 573 |
| Opwarmtijd ΔT=45°C | min | 60 | 59 |
| * koudwatertemperatuur 10°C | | | |
| Propan - cat. I3P | | | |
| Nominale belasting (b.w.) | kW | 17,5 | 25,0 |
| Nominale belasting (o.w.) | kW | 15,8 | 23,0 |
| Nominaal vermogen | kW | 13,5 | 20,0 |
| Gasverbruik | m ³ /h | 1,23 | 1,79 |
| Branderdruk | mbar | 25,0 | 25,0 |
| Diameter inspuiter | mm | 2,20 | 2,64 |
| Tapcapaciteit 1e uur T=40°C* | l | 835 | 1181 |
| Tapcapaciteit continu T=40°C* | l/h | 387 | 573 |
| Opwarmtijd ΔT=45°C | min | 65 | 59 |
| * koudwatertemperatuur 10°C | | | |

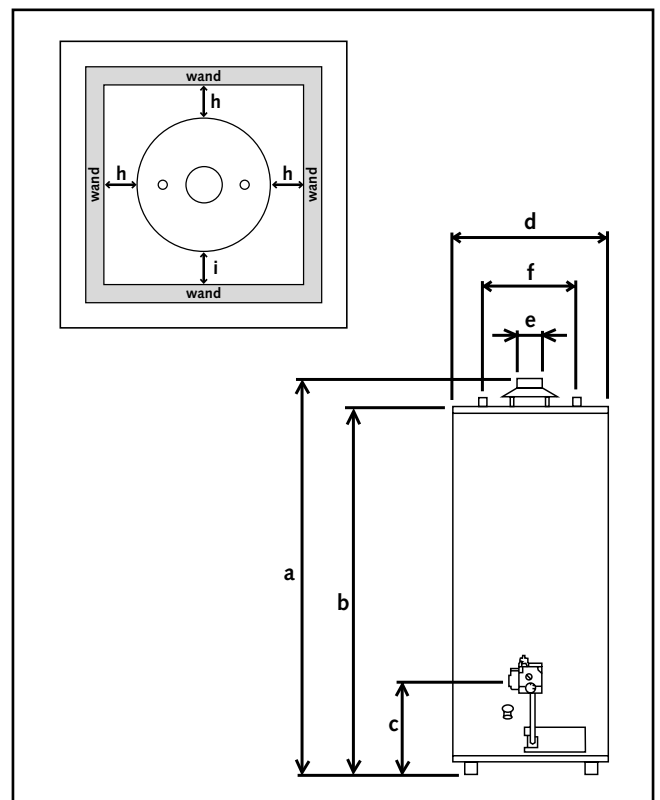
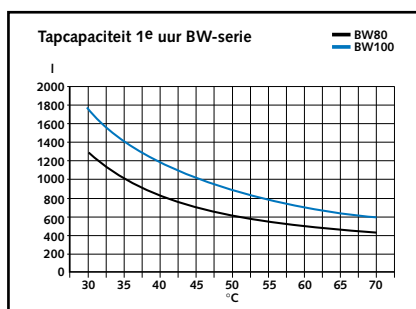
Kenmerken

- direct gestookte boiler
- open toestel
- hoogwaardige stalen tank (binnenzijde geëmailleerd)
- poly-urethaan schuimisolatie
- piëzo-ontsteking
- beveiliging:
 - maximaalbeveiliging
 - rookgasafvoerbeveiliging
- maximaal instelbare temperatuur:
 - standaard 72°C
 - boerderij 82°C
- optioneel:
 - schakelklok
 - afstandsbediening
 - storingsmelder



Afmetingen

| Model | | BW80 | BW100 |
|--------------------------------|----|------|-------|
| a | mm | 1670 | 1803 |
| b | mm | 1520 | 1655 |
| c | mm | 420 | 397 |
| d | mm | 620 | 718 |
| e | mm | 100 | 130 |
| f | mm | 280 | 405 |
| g | mm | 1340 | 1506 |
| Afmetingen voor service | | | |
| h | mm | 100 | 100 |
| i | mm | 600 | 600 |



BAXI

Baxi BV
Postbus 1126
3860 BC Nijkerk

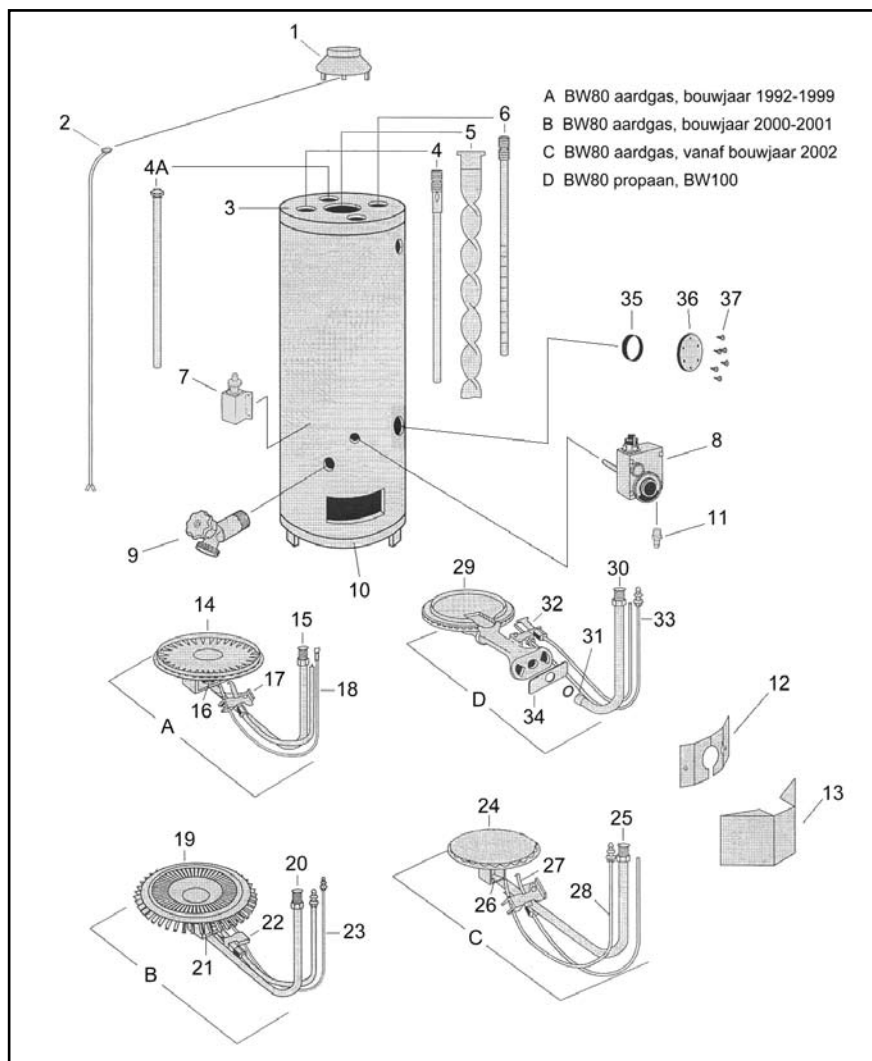
Tel. +31 (0)33 247 72 11
Fax +31 (0)33 245 71 54

E-mail info@baxi.nl
Internet www.baxi.nl



BW: middelgrote industriële boiler

Onderdelen



Onderdelen BW-serie, aardgas, bouwjaar 1992 t/m 1998, series JA... t/m SE...

| Model | BW80 | BW100 | |
|-------|--------------------------------|------------|------------|
| 1 | trekonderbreker | 210.120.01 | 210.120.01 |
| 2 | TTB (incl. kabel) | 100.202.05 | 100.202.05 |
| 3 | bovendeksel | 210.101.00 | 210.101.01 |
| 4 | anode + warmwaternippel | 100.140.01 | - |
| 4A | anode | - | 300.141.02 |
| 5 | retarder | 210.125.00 | - |
| 6 | koudwater inlaatpijp | 100.142.02 | 210.142.00 |
| 7 | piezo | 300.173.00 | 300.173.00 |
| 8 | gasregelblok * | 100.180.32 | 100.180.33 |
| 9 | aftapkraan | 300.144.00 | 300.144.00 |
| 10 | bodem | 210.104.00 | 210.104.01 |
| 11 | drukmeetnippel | 100.183.00 | 100.183.00 |
| 12 | branderkamerdeur | 200.107.00 | 200.107.00 |
| 13 | manteldeur | 100.103.01 | 100.103.01 |
| 14 | hoofdbrander | 100.161.00 | 100.161.01 |
| 15 | hoofdbranderleiding | 100.162.02 | 200.162.11 |
| 16 | inspuiter | 100.163.08 | 100.163.30 |
| 17 | waakvlambrander | 100.167.02 | 100.167.02 |
| 18 | thermokoppel | 100.171.04 | 100.171.04 |
| 35 | O-ring | - | 300.147.00 |
| 36 | deksel reinigingsopening | - | 300.146.00 |
| 37 | bout reinigingsopening | - | 300.153.01 |
| | gasregelblok hoge temperatuur* | 100.180.34 | 100.180.35 |
| | ombouwset propaan | 200.175.10 | 200.175.11 |
| | *bestellen inclusief adapter | 100.151.01 | |

BW: middelgrote industriële boiler

Onderdelen BW-serie, aardgas, bouwjaar '98 t/m '99, series SF... t/m TM...

| Model | BW80 | BW100 |
|-------------------------------|------------|------------|
| 1 trekonderbreker | 210.120.01 | 210.120.01 |
| 2 TTB (incl. kabel) | 100.202.05 | 100.202.05 |
| 3 bovendeksel | 210.101.00 | 210.101.01 |
| 4A anode | 300.141.01 | 300.141.02 |
| 5 retarder | 210.125.00 | - |
| 6 koudwater inlaatpijp | 210.142.01 | 210.142.00 |
| 7 piezo | 300.173.00 | 300.173.00 |
| 8 gasregelblok | 100.180.32 | 100.180.33 |
| 9 aftapkraan | 300.144.00 | 300.144.00 |
| 10 bodem | 210.104.00 | 210.104.01 |
| 11 drukmeetnippel | 100.183.00 | 100.183.00 |
| 12 branderkamerdeur | 200.107.00 | 200.107.00 |
| 13 manteldeur | 100.103.01 | 100.103.01 |
| 14 hoofdbrander | 100.161.00 | 100.161.01 |
| 15 hoofdbranderleiding | 100.162.02 | 200.162.11 |
| 16 inspuiter | 100.163.08 | 100.163.30 |
| 17 waakvlambrander | 100.167.06 | 100.167.06 |
| 18 thermokoppel | 100.171.04 | 100.171.04 |
| 35 O-ring | - | 300.147.00 |
| 36 deksel reinigingsopening | - | 300.146.00 |
| 37 bout reinigingsopening | - | 300.153.01 |
| gasregelblok hoge temperatuur | 100.180.34 | 100.180.35 |
| ombouwset propaan | 200.175.10 | 200.175.11 |

Onderdelen BW-serie, aardgas, bouwjaar '00 t/m '01, series WA... t/m XM...

| Model | BW80 | BW100 |
|-------------------------------|------------|------------|
| 1 trekonderbreker | 100.120.11 | 210.120.01 |
| 2 TTB (incl. kabel) | 100.202.05 | 100.202.05 |
| 3 bovendeksel | 210.101.00 | 210.101.01 |
| 4A anode | 300.141.01 | 300.141.02 |
| 5 retarder | 210.125.00 | - |
| 6 koudwater inlaatpijp | 210.142.01 | 210.142.00 |
| 7 piezo | 300.173.00 | 300.173.00 |
| 8 gasregelblok | 100.180.32 | 100.180.33 |
| 9 aftapkraan | 300.144.00 | 300.144.00 |
| 10 bodem | 210.104.00 | 210.104.01 |
| 11 drukmeetnippel | 100.183.00 | 100.183.00 |
| 12 branderkamerdeur | 200.107.00 | 200.107.00 |
| 13 manteldeur | 100.103.01 | 100.103.01 |
| 19 hoofdbrander | 100.161.04 | 100.161.01 |
| 20 hoofdbranderleiding | 100.162.02 | 200.162.11 |
| 21 inspuiter | 100.163.60 | 100.163.30 |
| 22 waakvlambrander | 100.167.06 | 100.167.06 |
| 23 thermokoppel | 100.171.04 | 100.171.04 |
| 35 O-ring | - | 300.147.00 |
| 36 deksel reinigingsopening | - | 300.146.00 |
| 37 bout reinigingsopening | - | 300.153.01 |
| gasregelblok hoge temperatuur | 100.180.34 | 100.180.35 |
| ombouwset propaan | 200.175.10 | 200.175.11 |

BW: middelgrote industriële boiler

Onderdelen BW-serie, aardgas, vanaf bouwjaar '02 en series YA...

| Model | BW80 | BW100 |
|-------------------------------|------------|------------|
| 1 trekonderbreker | 100.120.11 | 210.120.01 |
| 2 TTB (incl. kabel) | 100.202.05 | 100.202.05 |
| 3 bovendeksel | 210.101.00 | 210.101.01 |
| 4A anode | 300.141.01 | 300.141.02 |
| 5 retarder | 210.125.00 | - |
| 6 koudwater inlaatpijp | 210.142.01 | 210.142.00 |
| 7 piezo | 300.173.00 | 300.173.00 |
| 8 gasregelblok | 100.180.32 | 100.180.33 |
| 9 aftapkraan | 300.144.00 | 300.144.00 |
| 10 bodem | 210.104.00 | 210.104.01 |
| 11 drukmeetnippel | 100.183.00 | 100.183.00 |
| 12 branderkamerdeur | 200.107.00 | 200.107.00 |
| 13 manteldeur | 100.103.01 | 100.103.01 |
| 24 hoofdbrande | 100.161.04 | 100.161.01 |
| 25 hoofdbrande | 100.162.02 | 200.162.11 |
| 26 inspuiter | 100.163.60 | 100.163.30 |
| 27 waakvlambrande | 100.167.06 | 100.167.06 |
| 28 thermokoppel | 100.171.04 | 100.171.04 |
| 35 O-ring | - | 300.147.00 |
| 36 deksel reinigingsopening | - | 300.146.00 |
| 37 bout reinigingsopening | - | 300.153.01 |
| gasregelblok hoge temperatuur | 100.180.34 | 100.180.35 |
| ombouwset propaan | 200.174.10 | 200.174.11 |

BW-serie, propaan, vanaf bouwjaar '98 en serienummers SF...

| Model | BW80 | BW100 |
|-------------------------------|------------|------------|
| 1 trekonderbreker | 100.120.11 | 210.120.01 |
| 2 TTB (incl. kabel) | 100.202.05 | 100.202.05 |
| 3 bovendeksel | 210.101.00 | 210.101.01 |
| 4A anode | 300.141.01 | 300.141.02 |
| 5 retarder | 210.125.00 | - |
| 6 koudwater inlaatpijp | 210.142.01 | 210.142.00 |
| 7 piezo | 300.173.00 | 300.173.00 |
| 8 gasregelblok | 100.180.32 | 100.180.33 |
| 9 aftapkraan | 300.144.00 | 300.144.00 |
| 10 bodem | 210.104.00 | 210.104.01 |
| 11 drukmeetnippel | 100.183.00 | 100.183.00 |
| 12 branderkamerdeur | 200.107.00 | 200.107.00 |
| 13 manteldeur | 100.103.01 | 100.103.01 |
| 29 hoofdbrande | 100.161.01 | 100.161.01 |
| 30 hoofdbrande | 200.162.10 | 200.162.11 |
| 31 inspuiter | 100.163.24 | 100.163.27 |
| 32 waakvlambrande | 100.167.07 | 100.167.07 |
| 33 thermokoppel | 100.171.04 | 100.171.04 |
| 34 luchtschuif | 100.178.01 | 100.178.01 |
| 35 O-ring | - | 300.147.00 |
| 36 deksel reinigingsopening | - | 300.146.00 |
| 37 bout reinigingsopening | - | 300.153.01 |
| gasregelblok hoge temperatuur | 100.180.34 | 100.180.35 |
| ombouwset propaan | 200.175.10 | 200.175.11 |